

NA - 7D

Underwater Camera Housing
Instruction manual



Foreword

Thank you for your purchase of a NAUTICAM camera housing.

At NAUTICAM, we pride ourselves on the ability to recognise the requirements of professional as well as amateur underwater photographers and fulfill them through the innovative designs of our products. We strive to achieve a high level of user-friendliness by allowing stress-free installation and easy operation of all important functions of the camera.

Each housing is individually inspected and water pressure tested to more than 100metres to ensure optimum quality.

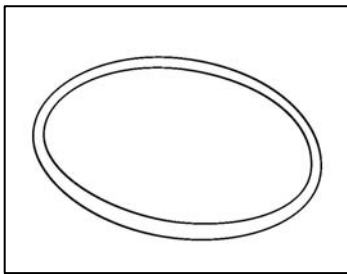
Please read this manual carefully before using the housing, this will maximise its performance as well as its lifetime.

Warranty

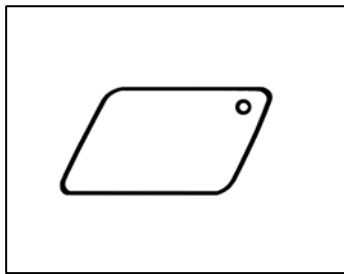
1. All NAUTICAM Products are warranted against any material and manufacturing defects for one year from the date of purchase for consumer use.
2. NAUTICAM accepts no liability for any damage to and defects in the housing caused by improper use and/or poor maintenance; it is the responsibility of the owner to carefully follow the instructions in this manual.
3. NAUTICAM does not hold responsibility for damage, of any nature, to any equipment used with and/or placed within the housing.
4. NAUTICAM accepts no liability for any loss of captured images or the inability to capture images even if it is due to the malfunctioning or leakage of the housing.
5. This warranty only applies to products purchased from authorised NAUTICAM dealers and does not extend beyond the original retail purchaser.
6. Unauthorised modifications and/or repairs of the housing will automatically invalidate this warranty.
7. To return products for service, please contact our regional distributor, normally you would need to notify them by email first and ship them the product by registered mail, along with your contact details and a brief description of the defect.

Package Contents

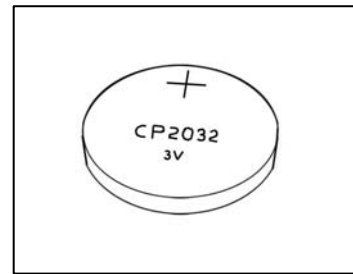
1. NA-7D housing
2. Instruction manual
3. Spare silicone rubber main o-ring
4. O-ring remover
5. CR2032 battery (for moisture alarm)
6. Lubricant
7. Set of Allen keys



Spare silicone rubber o-ring



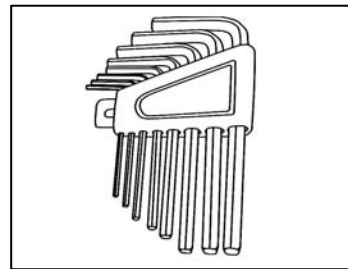
O-ring remover



CR2032 battery



Lubricant



Set of Allen keys

Precautions

1. A water-tight test without the camera inside the housing is highly recommended when using the system for the first time and after the changing of port and O-ring(s).
2. Do not use lubricants from other brands with the silicone rubber O-ring on this housing, only use the lubricant provided by NAUTICAM.
3. Discontinue use immediately should you notice any leakage.
4. Store the housing in a robust, shock-proof container during transportation; avoid transporting with any equipment, such as a camera, inside the housing.
5. When travelling by air, do not close the housing if the port is installed, as this may lead to a pressure difference between the atmosphere and inside the housing.
6. Care must be taken when opening the housing, as pressure may build up inside the housing which increases the opening force.
7. Do not open the product in a wet or sandy environment. Protect the interior from moisture and debris in order to prevent malfunction or leakage.
8. Do not store the product in an environment of high humidity.
9. Do not leave the housing and the camera in direct sunlight for prolonged periods.
10. Keep out of reach of children, failure to do so could result in injury.
11. Defective products should be shipped to our distributors for service, unauthorized disassembling and/or modifications could result in malfunction or leakage.

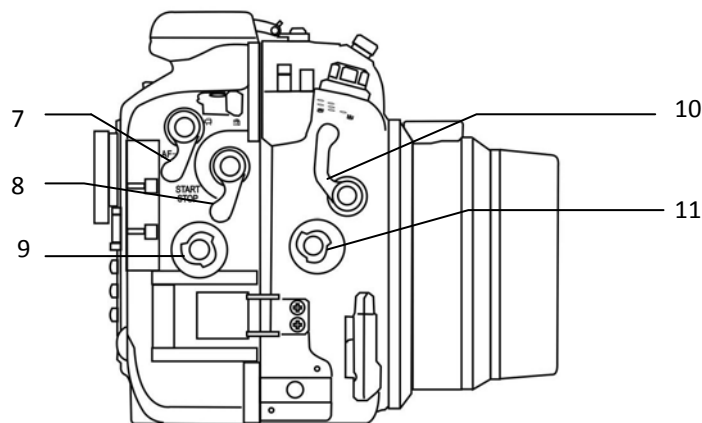
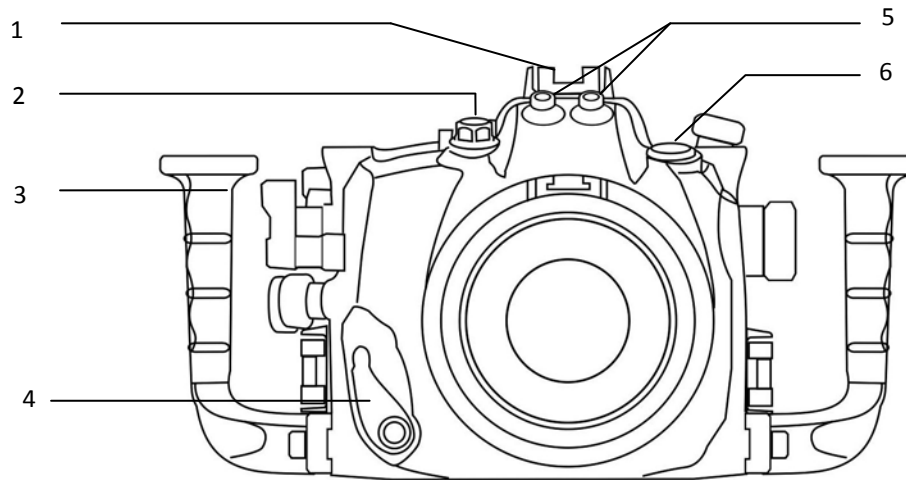
Table of Contents

<i>Specifications</i>	6
<i>Identification of Parts</i>	7
<i>Preparation of the Housing</i>	10
<i>Opening and Closing the Housing</i>	13
<i>Installing the Camera</i>	14
<i>Mounting the Port</i>	16
<i>Changing the Viewfinder</i>	18
<i>Care and Maintenance</i>	20
<i>Optional Accessories</i>	21

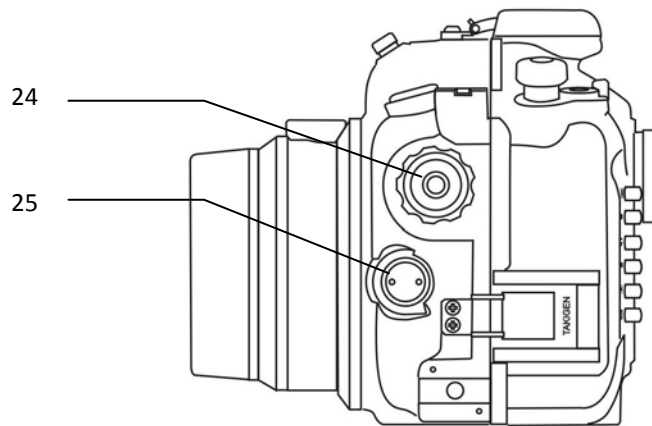
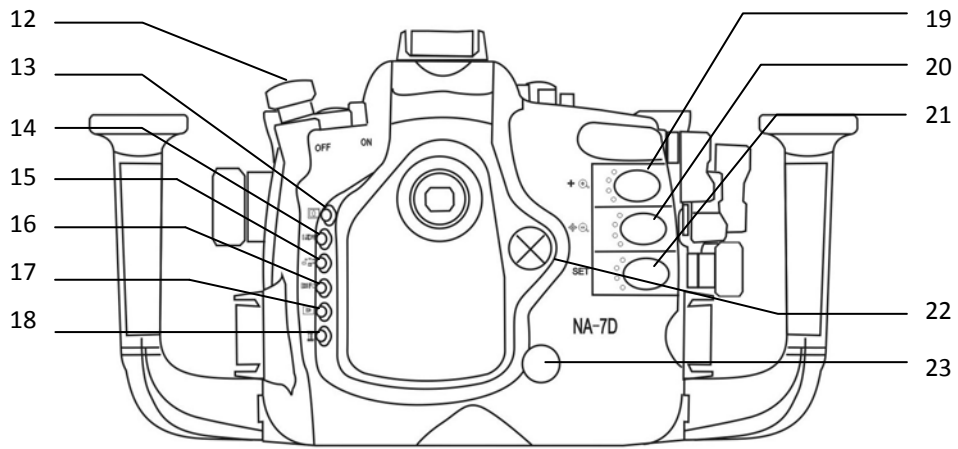
Specifications

Construction	Housing body:	Aluminium alloy
	Surface treatment:	Hard anodised
	Display window:	Abrasion resistant polycarbonate
	Grip handles:	Polycarbonate and rubber
Dimensions	Width:	348 mm
	Height:	184 mm
	Depth:	137 mm
Weight	Approx. 2.73 kg (without camera)	
Buoyancy	Slightly negative	
Depth rating	100 metres	
Features	Moisture alarm:	Blinking LED and audible alarm
	Viewfinder:	0.66X viewfinder
	TTL capability:	6-pin bulkhead (optional)
		2 optical bulkheads utilising the camera's pop-up flash as commander.
	Port mount:	Patented easy port installation system; adaptors available for ports of other manufacturers.
	Piano keys:	Specially designed for the easy access of the AF point selection/Magnify, AE lock/Index/Reduce and the SET buttons.

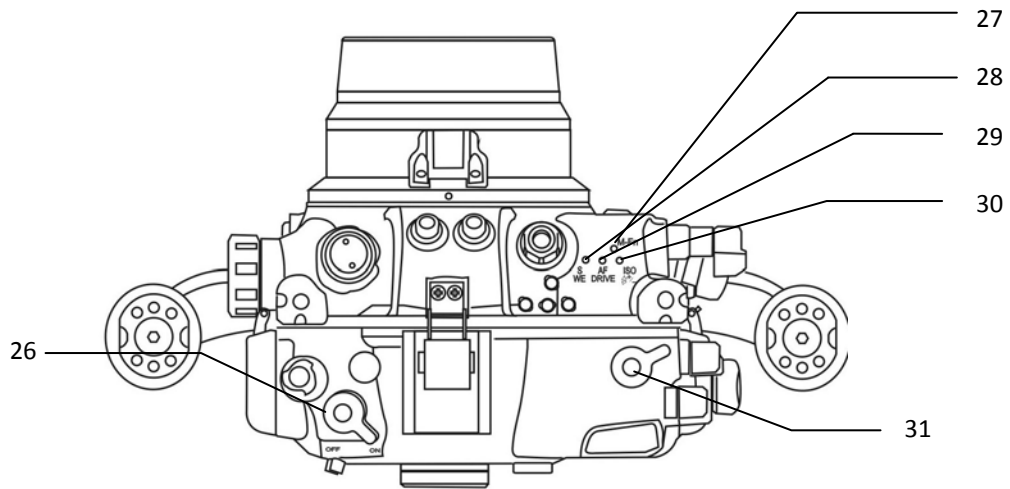
Identification of Parts



1	Locking latches x 3	7	AF start lever
2	S-6 6 pin bulkhead (optional)	8	Start/Stop lever
3	Grip handles x 2	9	Quick control dial
4	Port locking lever	10	Shutter release lever
5	Optical bulkheads for strobe connection x 2	11	Main dial
6	Opening for optional accessories (e.g. Hydrophone)		



12	Mode dial	19	AF point selection/Magnify button
13	Quick control button	20	AE lock/Index/Reduce button
14	Menu button	21	Set button
15	Picture style selection button	22	Up, down, left, right selectors
16	Info button	23	Moisture alarm
17	Playback button	24	Zoom/focus knob
18	Erase button	25	Opening for optional accessories (e.g. Hydrophone)

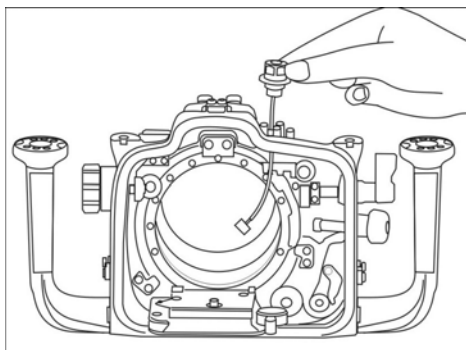
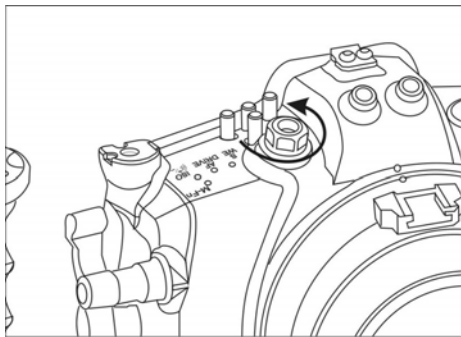


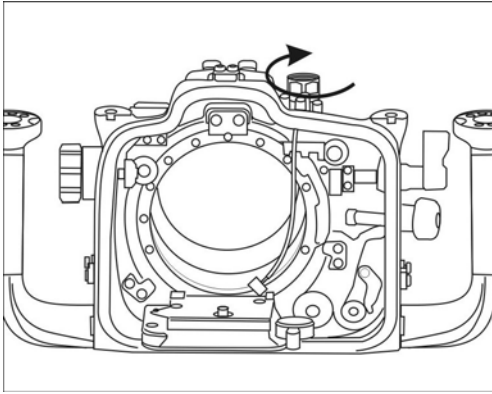
26	On/off selector	29	AF mode/Drive mode selection button
27	Multi-function button	30	ISO speed setting/Flash exposure compensation button
28	Metering mode/White balance selection button	31	Live View shooting/Movie shooting selector

Tips: The built-in flash can be raised by setting the 7D camera to the Fully Automatic Shooting mode and pressing the shutter release when the camera is inside the housing.

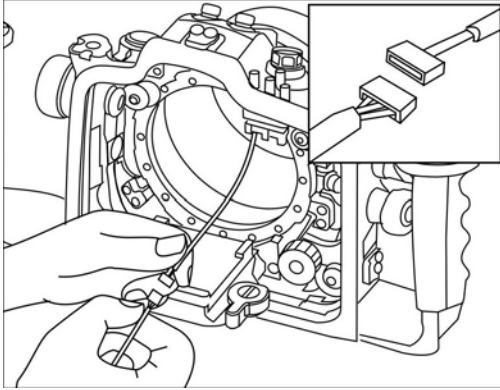
Preparation of the Housing

1. After verifying that the main O-ring is in good condition, lightly coat it with the lubricant provided.
2. Make sure the O-ring groove located in the front part of the housing is free from any foreign material; the groove can be cleaned with the aid of a microfiber cloth.
3. Place the main O-ring into the groove by gently pushing it, first at the corners, then the whole perimeter.
4. If necessary, spacers can be used to increase space between the grip handles and the housing; please use the longer screws provided to attach the grip handles and the spacers to the housing.
5. (Optional) To install the S-6 6 pin bulkhead:
 - i. Unscrew the plug from the threaded hole with a spanner.
 - ii. Insert the 6 pin bulkhead through the threaded hole.

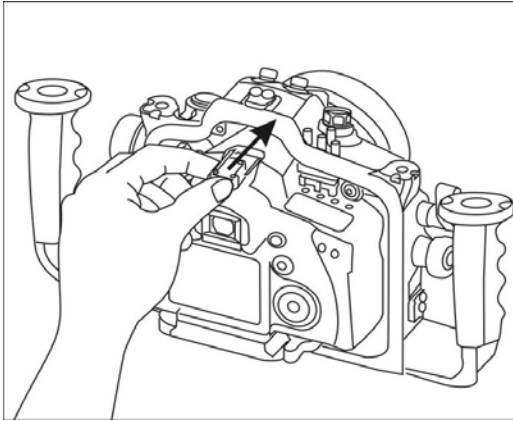




- iii. Tighten the 6 pin bulkhead with a spanner.

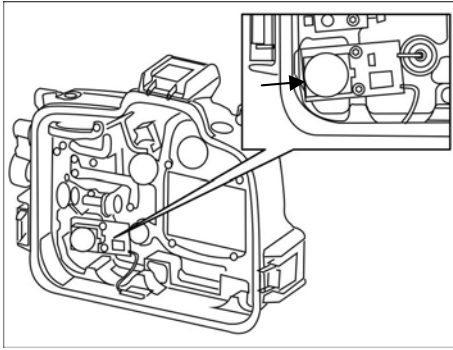


- iv. Connect the 6 pin bulkhead to the accessory shoe plug.

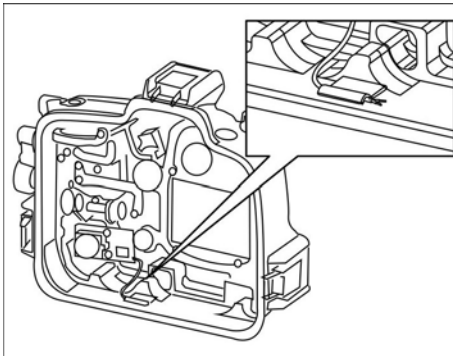


- v. Slide the accessory shoe plug of the housing into the accessory shoe of the camera.

Setting up the moisture alarm



2. Install the CR2032 battery provided into the battery compartment on the circuit board inside the rear part of the housing.

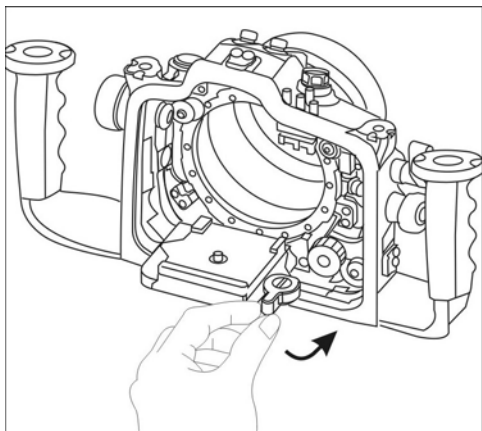


1. Test the alarm by contacting the two wires near the bottom of the housing with a damp cotton bud; the alarm should start giving out a repeating “beep” sound along with a flashing red light. The “beep” sound and the light should keep on going for 5 seconds after the removal of the damp cotton bud.

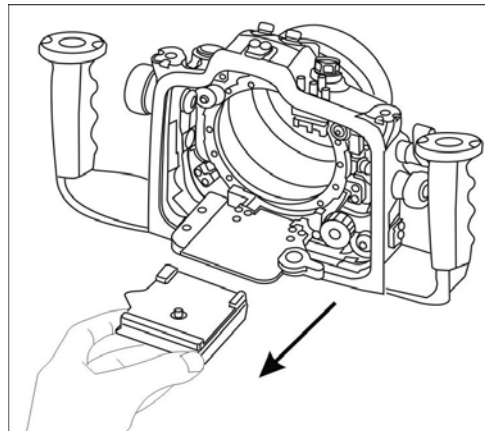
Opening and Closing the Housing

1. With the front facing down, place the housing on a flat surface or in your lap.
2. When closing, make sure there is nothing caught between the closing surfaces of the two halves of the housing.
3. The housing can be opened and closed by operating the three locking latches; when opening, first operate the latch on the top of the housing then the two on both sides simultaneously. When closing the housing, operate the two side latches first, then the one on the top.
4. After closing, check that the locking latches are properly engaged and the gap between the two halves of the housing caused by the main O-ring is evenly spaced for the whole perimeter of the housing.

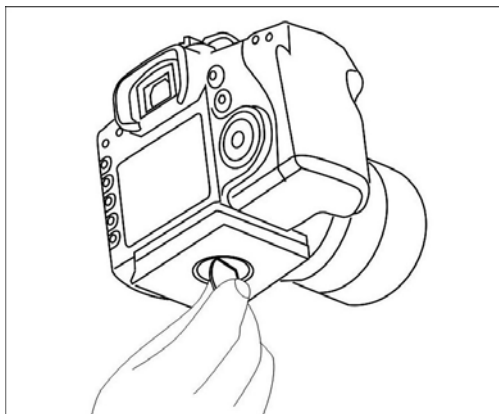
Installing the Camera



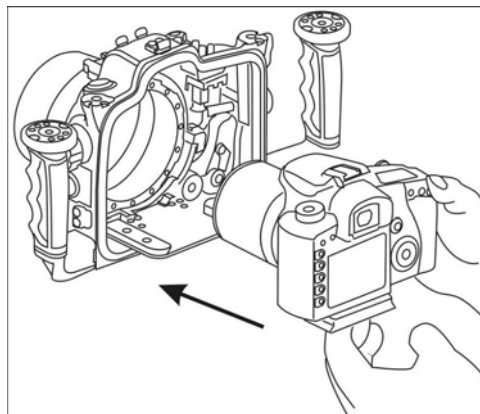
1. Turn the locking lever on the tray of the housing to the open position.



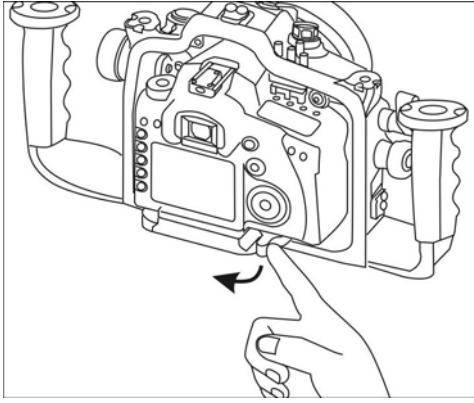
1. Remove the camera saddle from the housing.



3. Attach the saddle to the camera by tightening the screw to the tripod socket of the camera with a screwdriver or a coin.



4. Mount the camera by sliding the attached saddle along the rail in the housing until it cannot go in any further.

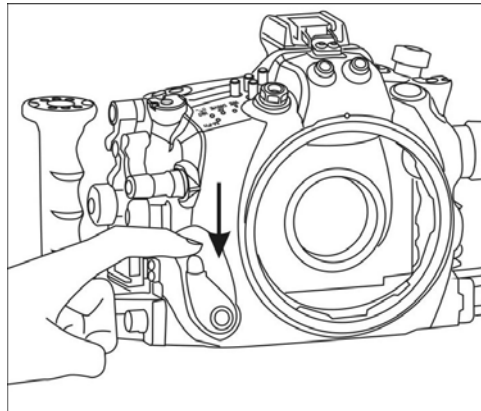


5. Confirm that all the controls of the housing are correctly engaged.
6. For removal of the camera from the housing, reverse the above procedures.
7. Lock the camera into place by turning the locking lever to the “lock” position.

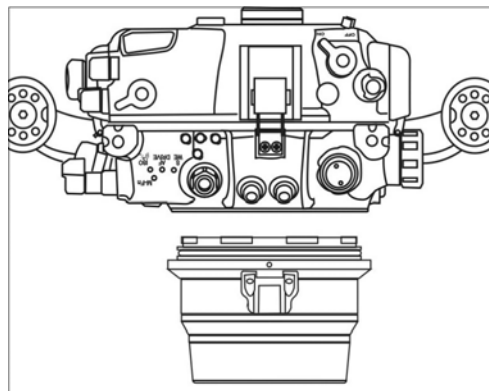
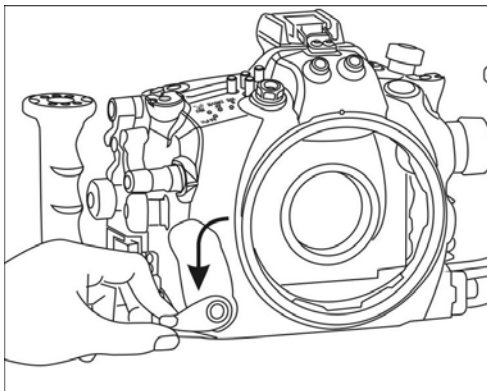
Mounting the Port

Please refer to the NAUTICAM system port chart for a range of compatible ports; note that extension rings may be needed for certain lenses and adaptors are available for the attachment of ports of other manufacturers.

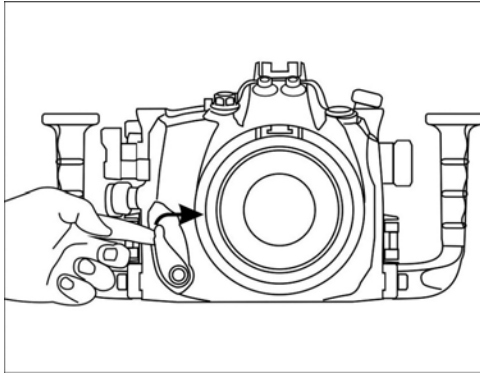
1. Remove the O-ring from the port, inspect for any damage and lightly coat it with the provided lubricant before placing it back into its groove..
2. Verify that the port opening of the housing is clean and free from foreign material.



3. Push the safety button of the port locking lever downwards.



4. Turn the port locking lever to the outward position.
5. Align the mounting marks of the port and the housing; the marks appear as white dots on both the port and the housing.
6. Gently push the port into the opening of the housing, until it cannot go in any further.

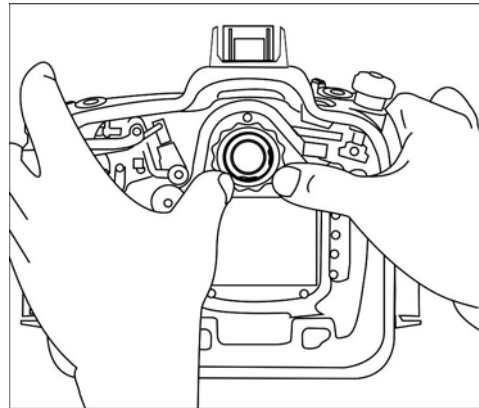
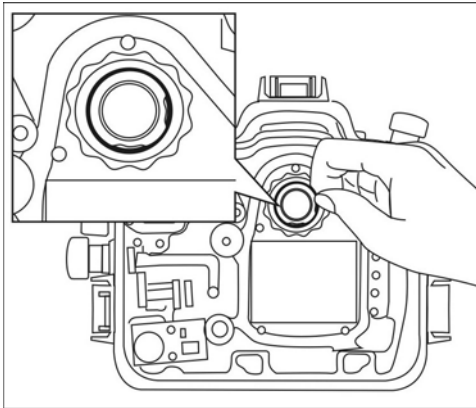


7. Lock the port into place by turning the port locking lever to the inward position. To ensure that the port is securely mounted, confirm that the green line on the safety button of the port locking lever is visible.
8. To remove the port from the housing, simply turn the port locking lever to the outward position and gently pull it out.

Changing the Viewfinder

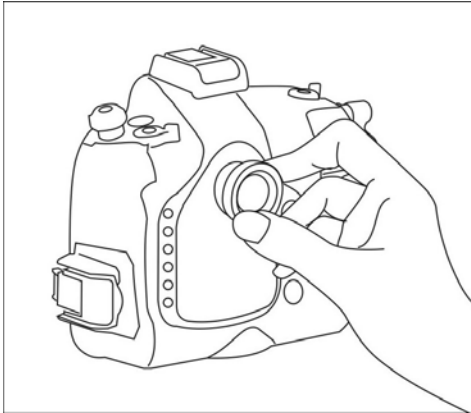
In order that users can change to a preferred viewfinder easily, the 0.66X viewfinder which comes with this housing is designed so that it can be removed and re-installed by following the simple steps described below.

To remove the viewfinder:

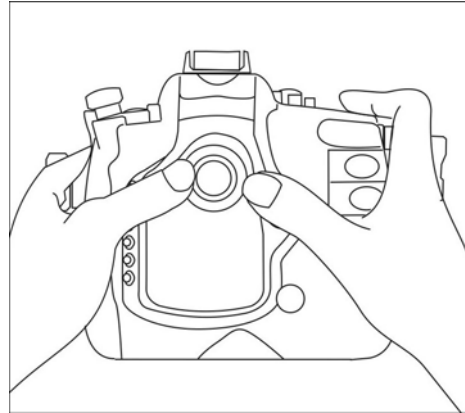


2. Remove the retainer O-ring of the viewfinder inside the rear half of the housing by making use of the recess on the viewfinder.
1. Gently push the viewfinder from the inside of the housing.

To re-install the viewfinder:



1. Lightly coat the O-rings on the outer periphery of the viewfinder body with lubricant.
2. Align the viewfinder with the sleeve in the display window.

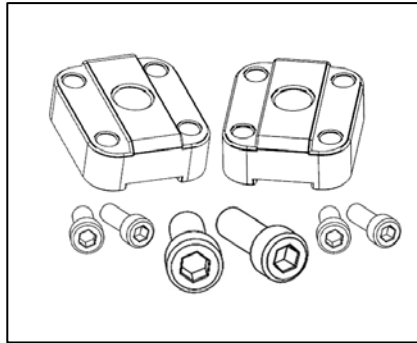


3. Push the viewfinder from the outside of the housing until it cannot go in any further.
4. Place the retainer O-ring of the viewfinder back from inside the housing.

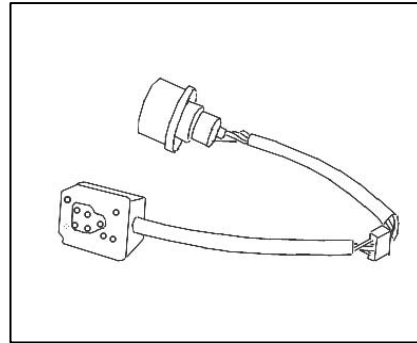
Care and Maintenance

1. Soak the housing system in fresh water after each salt water use, during which all control buttons/knobs should be operated a few times to avoid the accumulation of salt residue; wipe the housing with a towel before opening.
2. After each day of diving, it is advisable to have the main O-ring in the front part of the housing removed from its groove with the O-ring remover and inspected for damage. Also check that the O-ring retains its original circular shape; never stretch the O-ring excessively or remove it with a sharp object. The O-ring groove should be cleaned to ensure it is free from any salt deposit or foreign material; lightly coat the O-ring with the provided lubricant before reinstalling it in the groove. A damaged O-ring should be discarded immediately and replaced only with one that is provided by NAUTICAM.
3. Replace the main O-ring annually.
4. It is recommended that you ship the housing to our distributor for a complete overhaul every year or after every 200 dives.

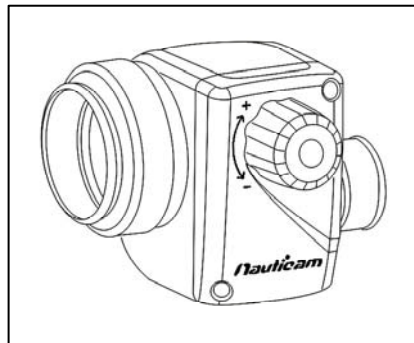
Optional Accessories



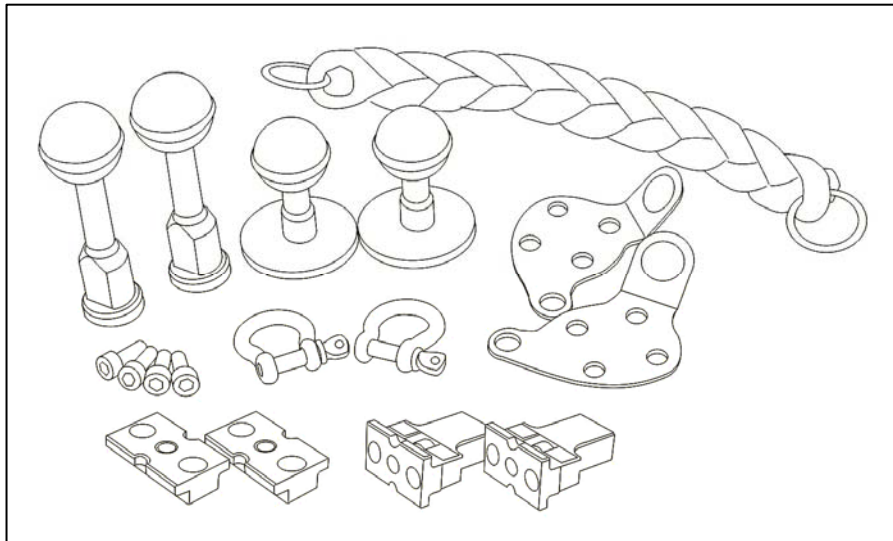
Set of spacers



Nikonos 5-pin bulkhead



**Enhanced 180° viewfinder
(with external dioptic adjustment knob)**



Strobe mounting set with lanyard

NAUTICAM International Limited
Room 2203,
CCT Telecom Building,
11 Wo Shing Street,
Fotan, HONG KONG

Email: enquiry@nauticam.com
Tel: +852 2690 2711
Fax: +852 2690 9778

