

# NA - D700

Underwater Camera Housing  
**Instruction manual**



# Foreword

Thank you for your purchase of a NAUTICAM digital camera housing.

At NAUTICAM, we pride ourselves on the ability to recognise the requirements of professional as well as amateur underwater photographers and fulfill them through the innovative designs of our products. We strive to achieve a high level of user-friendliness by allowing stress-free installation and easy operation of all important functions of the camera.

Each housing is individually inspected and water pressure tested to more than 75 metres to ensure optimum quality.

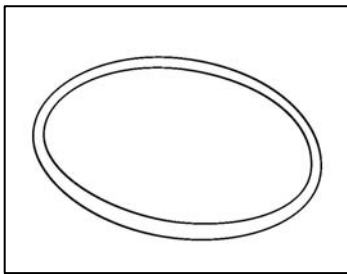
Please read this manual carefully before using the housing, this will maximise its performance as well as its lifetime.

# Warranty

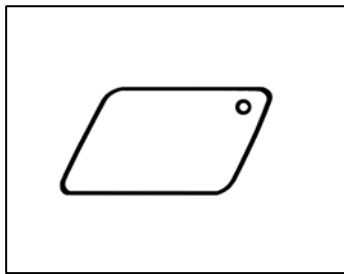
1. All NAUTICAM Products are warranted against any material and manufacturing defects for one year from the date of purchase for consumer use.
2. NAUTICAM accepts no liability for any damage to and defects in the housing caused by improper use and/or poor maintenance; it is the responsibility of the owner to carefully follow the instructions in this manual.
3. NAUTICAM does not hold responsibility for damage, of any nature, to any equipment used with and/or placed within the housing.
4. NAUTICAM accepts no liability for any loss of captured images or the inability to capture images even if it is due to the malfunctioning or leakage of the housing.
5. This warranty only applies to products purchased from authorised NAUTICAM dealers and does not extend beyond the original retail purchaser.
6. Unauthorised modifications and/or repairs of the housing will automatically invalidate this warranty.
7. To return products for service, please contact our regional distributor, normally you would need to notify them by email first and ship them the product by registered mail, along with your contact details and a brief description of the defect.

# Package Contents

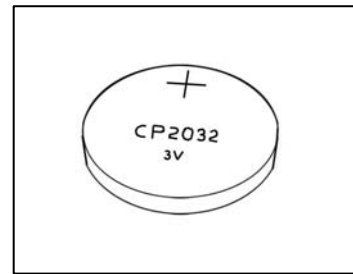
1. NA-D700 housing
2. Instruction manual
3. Spare silicone rubber main o-ring
4. O-ring remover
5. CR2032 battery (for moisture alarm)
6. Lubricant
7. Set of Allen keys



Spare silicone rubber o-ring



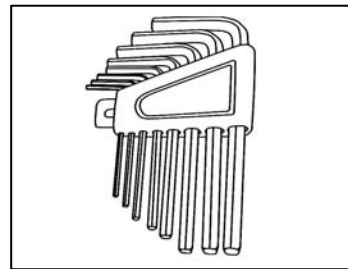
O-ring remover



CR2032 battery



Lubricant



Set of Allen keys

# Precautions

1. A water-tight test without the camera inside the housing is highly recommended when using the system for the first time and after the changing of port and O-ring(s).
2. Do not use lubricants from other brands with the silicone rubber O-ring on this housing, only use the lubricant provided by NAUTICAM.
3. Discontinue use immediately should you notice any leakage.
4. Store the housing in a robust, shock-proof container during transportation; avoid transporting with any equipment, such as a camera, inside the housing.
5. When travelling by air, do not close the housing if the port is installed, as this may lead to a pressure difference between the atmosphere and inside the housing.
6. Care must be taken when opening the housing, as pressure may build up inside the housing which increases the opening force.
7. Do not open the product in a wet or sandy environment. Protect the interior from moisture and debris in order to prevent malfunction or leakage.
8. Do not store the product in an environment of high humidity.
9. Do not leave the housing and the camera in direct sunlight for prolonged periods.
10. Keep out of reach of children, failure to do so could result in injury.
11. Defective products should be shipped to our distributors for service, unauthorized disassembling and/or modifications could result in malfunction or leakage.

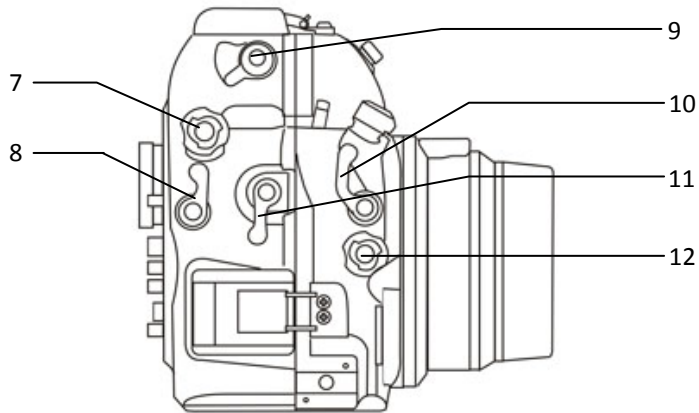
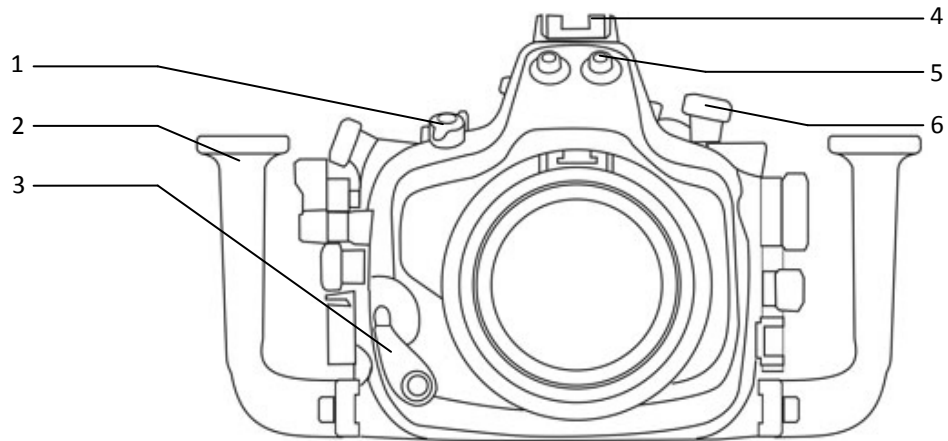
# Table of Contents

<i>Specifications</i>	6
<i>Identification of Parts</i>	7
<i>Preparation of the Housing</i>	12
<i>Opening and Closing the Housing</i>	15
<i>Installing the Camera</i>	16
<i>Flash Operation</i>	19
<i>Mounting the Port</i>	20
<i>Connecting the Strobe System</i>	22
<i>Changing the Viewfinder</i>	26
<i>Care and Maintenance</i>	28
<i>Optional Accessories</i>	29

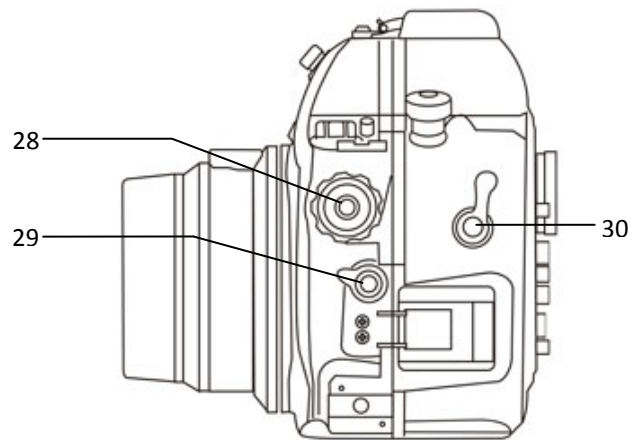
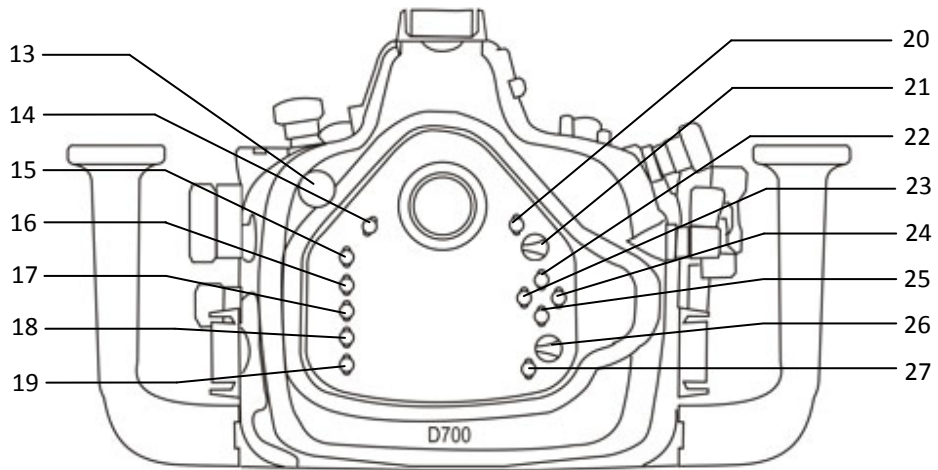
# Specifications

Construction	Housing body:	Aluminium alloy
	Surface treatment:	Hard anodised
	Display window:	Abrasion resistant polycarbonate
	Grip handles:	Polycarbonate and rubber
Dimensions	Width:	360 mm
	Height:	212 mm
	Depth:	139 mm
Weight	3.1 kg	
Buoyancy	Slightly negative	
Depth rating	75 metres	
Features	Moisture alarm:	Blinking LED and audible alarm
	Viewfinder:	0.66X viewfinder
	TTL capability:	Single Nikonos 5-pin bulkhead (optional)
		2 optical bulkheads utilising on camera pop-up flash as commmander
	Port mount:	Patented port locking lever for easy port installation.
	Flash pop-up/Flash compensation button	Pressing this button raises the camera's built-in flash as well as allowing the flash exposure to be adjusted.
	Flash up/off lever:	Allows the camera's built-in flash to be disabled underwater.

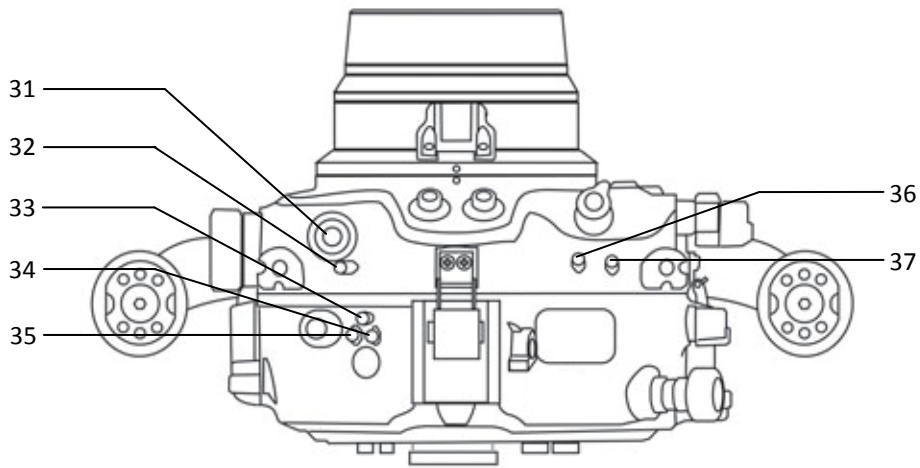
# Identification of Parts



1	On/Off control knob	7	Main command dial
2	Grip handles x 2	8	AF-ON lever
3	Port locking lever	9	Flash Up/Off lever
4	Locking latches x 3	10	Shutter release lever
5	Optical bulkheads for strobes connection x 2	11	OK/Select lever
6	Release mode dial	12	Sub-command dial



13	Moisture alarm	22	Up selector
14	Delete button	23	Left selector
15	Menu button	24	Right selector
16	Protect/Help button	25	Down selector
17	Thumbnail/playback zoom out button	26	AF-area mode selector
18	Playback zoom in button	27	Info Button
19	OK button	28	Zoom/focus knob
20	AE-L/AF-L button	29	Focus mode selector
21	Metering selector	30	Playback lever



31	Nikonos 5-pin bulkhead (optional)	35	White balance button
32	Flash pop-up/Flash compensation button	36	Exposure mode button
33	Image quality/size button	37	Exposure compensation button
34	ISO sensitivity button		

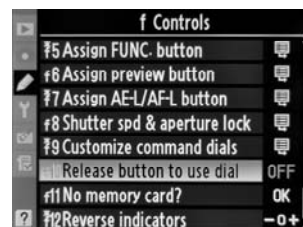
### Shooting Tips

1. By setting the “Release Button to Use Dial” function of the D700 camera to **Yes** allows adjustments which are normally made by holding down a button and rotating a command dial to be made by rotating the command dial after the button is pressed and released.

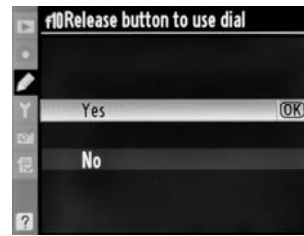
To enable this function, under Menu, scroll to Custom Setting Menu (Pencil shaped icon on the left of the LCD screen), enter ‘f’ Controls.



Then scroll to ‘f10’ Release Button to Use Dial and enter.



Select 'Yes' and press OK.

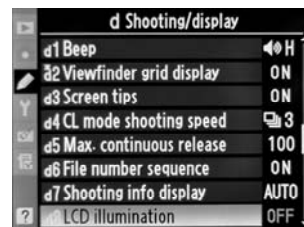


2. By setting the “LCD illumination” function of the D700 camera to **On**, the top control panel backlight can be turned on by pressing the shutter release lever halfway while exposure meters are active; the length of time that the camera continues to meter exposure can be assigned by the “Auto Meter-off Delay” setting.

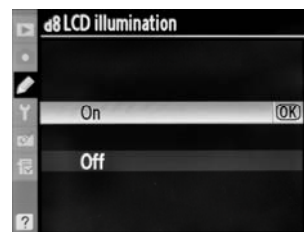
To enable the “LCD illumination” function, under Menu, scroll to Custom Setting Menu, enter ‘D’ *Shooting/Display*.



Then scroll to ‘d8’ *LCD illumination* and enter.



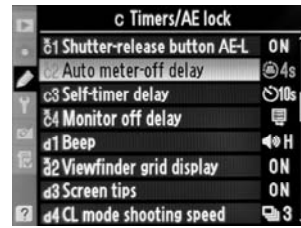
Select 'On' and press OK.



To control the time period of exposure meters, under Menu, scroll to Custom Setting Menu, enter ‘c’ *Timers/AE lock*.



Then scroll to 'c2' *Auto Meter-off Delay* and enter.

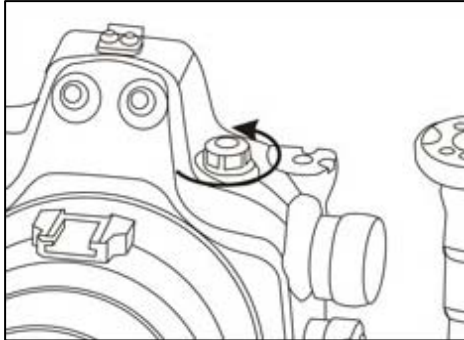


Select the preferred time period and press OK.

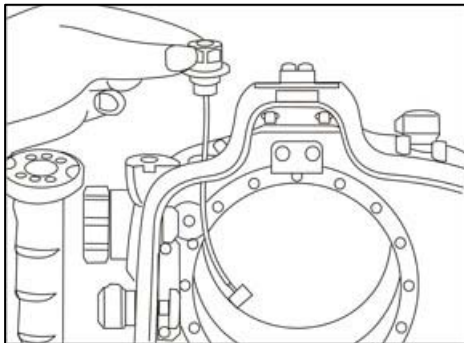


# Preparation of the Housing

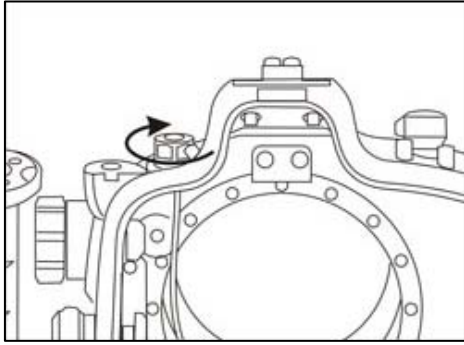
1. After verifying that the main O-ring is in good condition, lightly coat it with the lubricant provided.
2. Make sure the O-ring groove located in the front part of the housing is free from any foreign material; the groove can be cleaned with the aid of a microfiber cloth.
3. Place the main O-ring into the groove by gently pushing it, first at the corners, then the whole perimeter.
4. If necessary, spacers can be used to increase space between the grip handles and the housing; please use the longer screws provided to attach the grip handles and the spacers to the housing.
5. (Optional) To install the Nikonos 5-pin bulkhead:



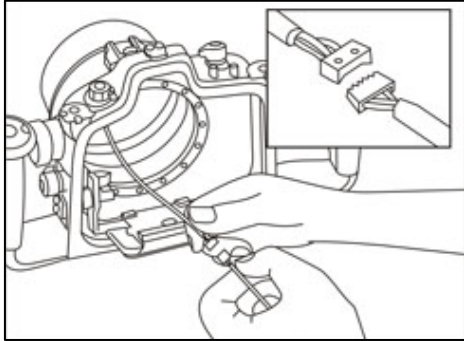
- i. Unscrew the plug from the threaded hole with a spanner.



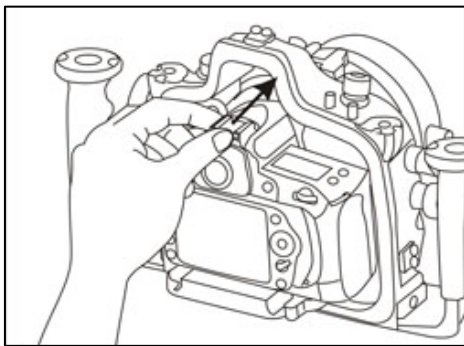
- ii. Insert the 5-pin bulkhead through the threaded hole.



- iii. Tighten the 5-pin bulkhead with a spanner.

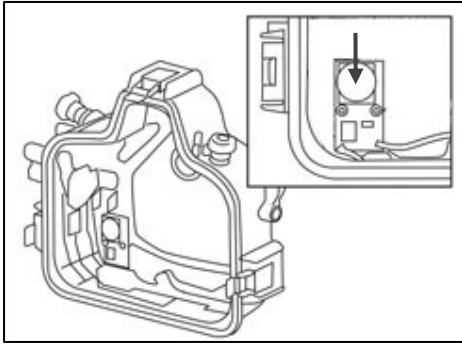


- iv. Connect the 5-pin bulkhead to the accessory shoe plug.

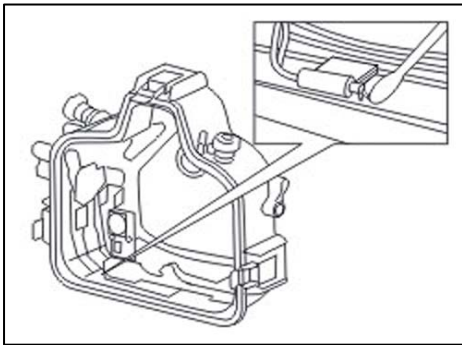


- v. Slide the accessory shoe plug of the housing into the accessory shoe of the camera.

## Setting up the moisture alarm



1. Install the CR2032 battery provided into the battery compartment on the circuit board inside the rear part of the housing.

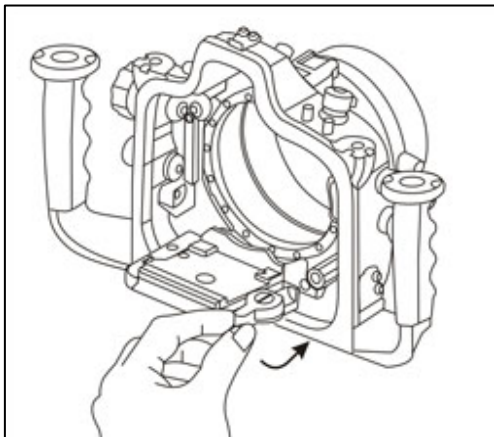


2. Test the alarm by contacting the two wires near the bottom of the housing with a damped cotton bud; the alarm should start giving out a repeating “beep” sound along with a flashing red light. The “beep” sound and the light should keep on going for 5 seconds after the removal of the damped cotton bud.

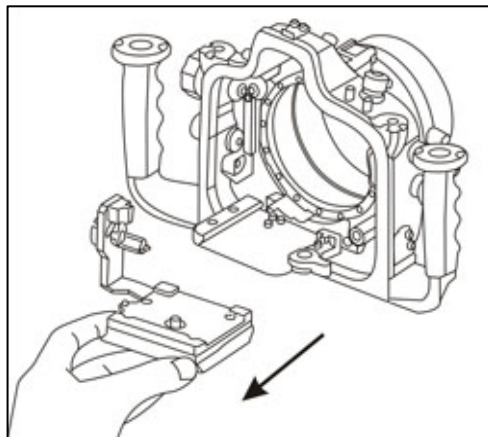
# Opening and Closing the Housing

1. Always open and close the housing with the front facing down, place the housing on a flat surface or in your lap.
2. When closing, make sure there is nothing caught between the closing surfaces of the two halves of the housing.
3. The housing can be opened and closed by operating the three locking latches; when opening, first operate the latch on the top of the housing then the two on both sides simultaneously. When closing the housing, operate the two side latches first, then the one on the top.
4. After closing, check that the locking latches are properly engaged and the gap between the two halves of the housing caused by the main O-ring is evenly spaced for the whole perimeter of the housing.

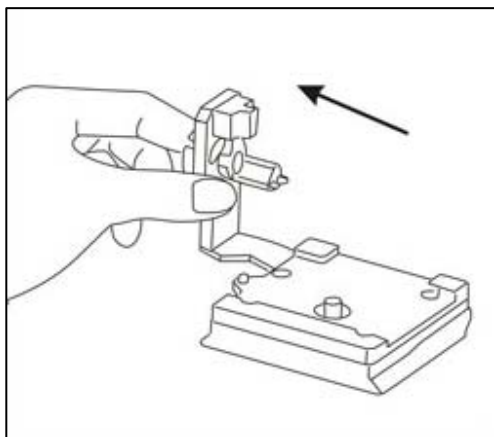
# Installing the Camera



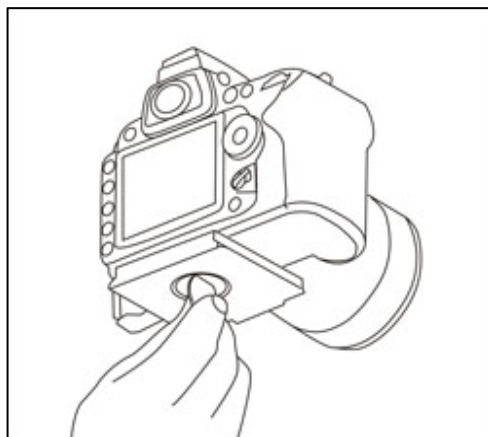
2. Turn the locking lever on the tray of the housing to the “open” position.



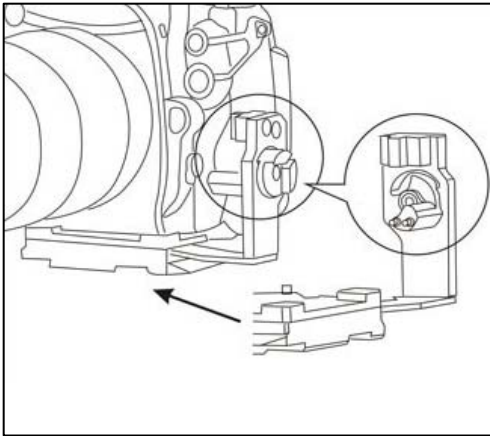
1. Remove the camera saddle from the housing.



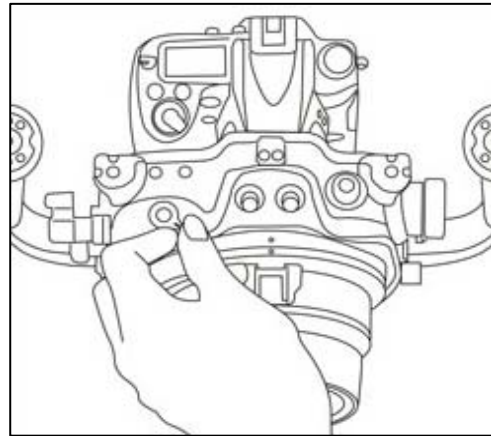
3. Pull the sliding bar on the saddle to its outward position.



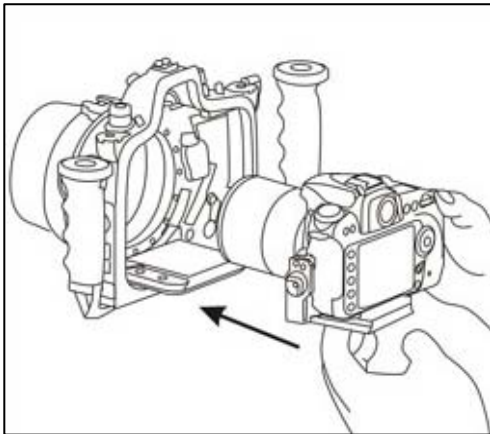
4. Attach the saddle to the camera by tightening the screw to the tripod socket of the camera with a screwdriver or a coin.



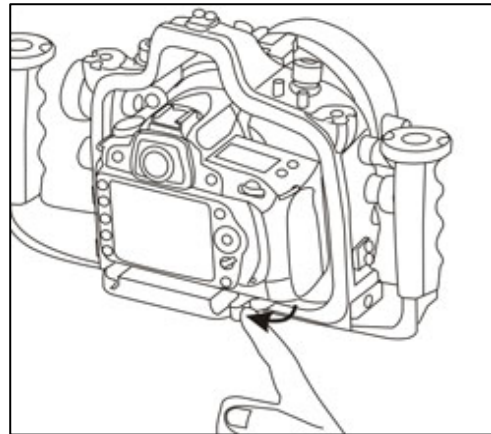
5. After ensuring the C/S/M activator on the sliding bar matches the focus mode selector of the camera, push the sliding bar to its inward position. Check that by rotating the activator, the focus mode of the camera can be altered.



6. Make sure the camera power is off and the On/Off control knob on the housing is in the “off” position.



7. Mount the camera by sliding the attached saddle along the rail in the housing until it cannot go in any further.



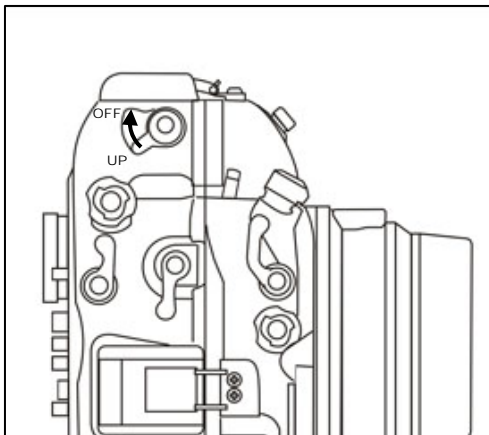
8. Lock the camera into place by turning the locking lever to the “lock” position.

9. Confirm that all the controls of the housing are correctly engaged.
10. For removal of the camera from the housing, reverse the above procedures.

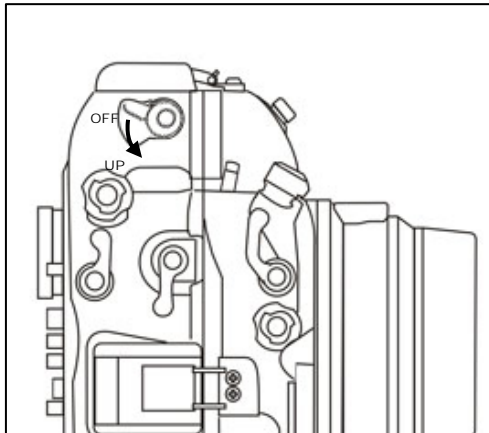
# Flash Operation

The D700 camera's built-in flash can be used for triggering external strobes.

To raise the flash after the camera has been installed into the housing, press the Flash pop-up/Flash compensation button; pressing this button also allows the flash exposure to be adjusted by the sub-command dial.



To disable the flash during a dive, turn the Flash up/off lever to the “Off” position.

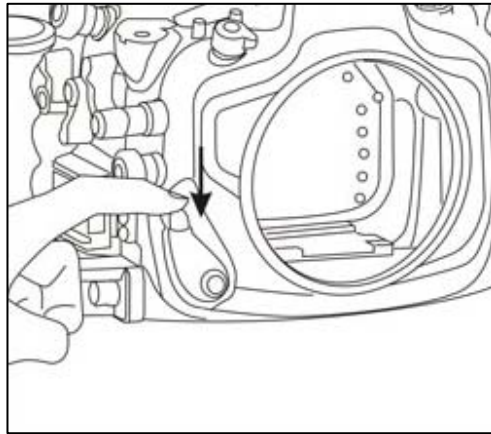


Turn the lever to the “Up” position to enable the flash again.

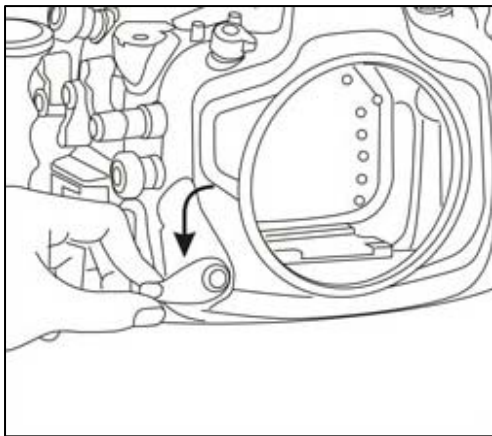
# Mounting the Port

Please refer to the NAUTICAM port system chart for a range of compatible ports; note that extension rings may be needed for certain lenses and adaptors are available for the attachment of ports of other manufacturers.

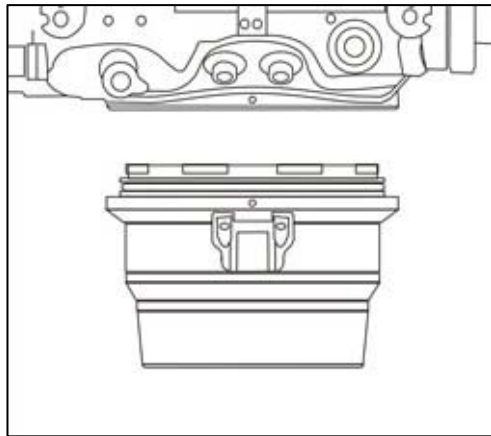
1. Remove the O-ring from the port, inspect for any damage and lightly coat it with the provided lubricant before placing it back into its groove.
2. Verify that the port opening of the housing is clean and free from foreign material.



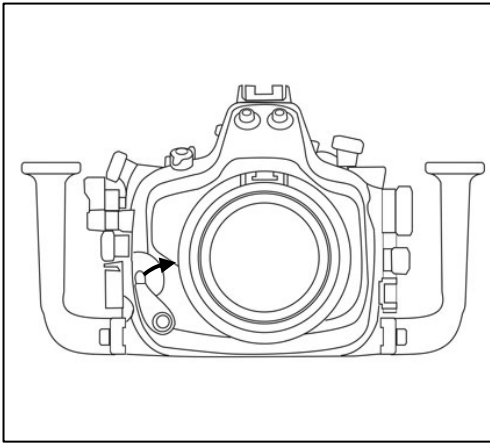
3. Push the safety button of the port locking lever downwards.



4. Turn the port locking lever to the outward position.



5. Align the mounting marks of the port and the housing; the marks appear as white dots on both the port and the housing.
6. Gently push the port into the opening of the housing, until it cannot go in any further.



7. Lock the port into place by turning the port locking lever to the inward position. To ensure that the port is securely mounted, confirm that the green line on the safety button of the port locking lever is visible.
8. To remove the port from the housing, simply turn the port locking lever to the outward position and gently pull it out.

# Connecting the Strobe System

Optional strobe attachment balls can be attached to the strobe mounting bases on the housing or onto the top of the handles.

There are two ways of connecting strobes to the NA-D700 housing: A) by optical connection through the Optical Bulkheads; B) by electrical connection through the Nikonos 5-pins bulkhead.

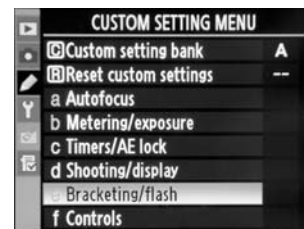
## A) Using the Optical Bulkheads

The built-in pop-up flash of the D-700 camera can be used as a commander to send out signals (including i-TTL commands) to the strobes via the 2 Optical Bulkheads. It can be utilised in different ways depending on the type of strobes connected to the housing:

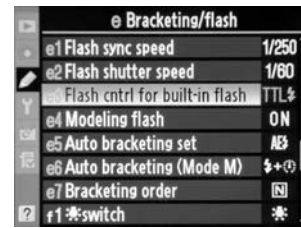
A1) Nikon i-TTL compatible strobes such as SB-R200, SB-600, SB-800, SB-900:

These strobes can fully utilise the Nikon i-TTL controls protocols enabling individual TTL exposure compensation of each of the 2 strobes connected to the Optical Bulkheads. Do ensure that the other ends of the optical fibres are pointing onto the light sensor window of the strobes.

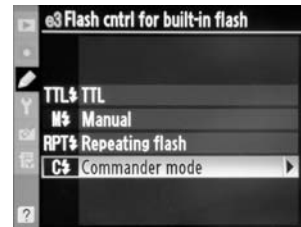
To set the D-700 camera to i-TTL Commander mode, under Menu, scroll to Custom Setting Menu (Pencil shaped icon on the left of the LCD screen), enter 'e' *Bracketing/flash*.



Then scroll to 'e3' Flash cntrl for built-in flash and enter.



Scroll to Commander mode.



Set the Built-in flash Mode to '--', Group A (one of the strobes) to Mode 'TTL', and Group B (the other strobe) to Mode 'TTL'.



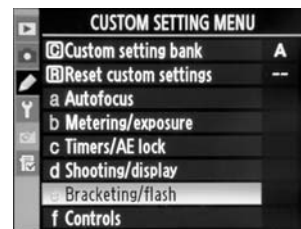
The exposure compensation of each strobe can be set individually (A and/or B) by entering the value under Comp.

Be sure the Channel number selected is the same of the 2 strobes.

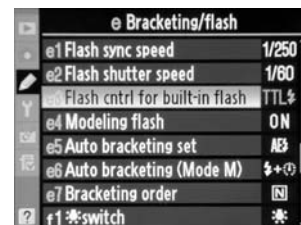
A2) Strobes with S-TTL (e.g. Inon z-240) or DS-TTL (e.g. Sea & Sea YS-110α) capabilities:

We recommend using these strobes in either S-TTL/DS-TTL or manual mode.

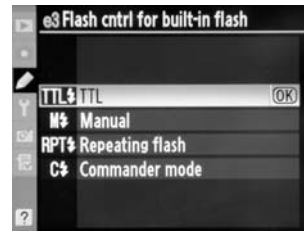
For S-TTL/DS-TTL operation, set the built-in flash of D-700 camera to TTL mode. From the Menu, scroll to Custom Setting Menu (Pencil shaped icon on the left of the LCD screen), enter 'e' Bracketing/flash.



Then scroll to 'e3' Flash cntrl for built-in flash and enter.



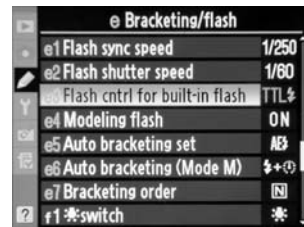
Scroll to *TTL* and press OK.



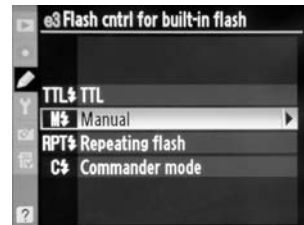
For Manual operation, set the built-in flash of D-700 camera to *Manual* mode. From the Menu, scroll to Custom Setting Menu (Pencil shaped icon on the left of the LCD screen), enter 'e' *Bracketing/flash*.



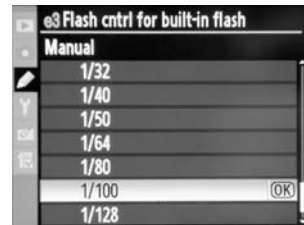
Then scroll to 'e3' *Flash cntrl for built-in flash* and enter.



Scroll to *Manual*.



A list of power outputs (of the built-in flash) will appear, selecting a relatively small output (1/100 or 1/128 and press OK) should be adequate to trigger the Inon strobes while saving the D700 battery energy.



### A3) Other strobes

The optical signal from the D700 built-in flash can also be utilised to trigger other strobes having an optical sensor.

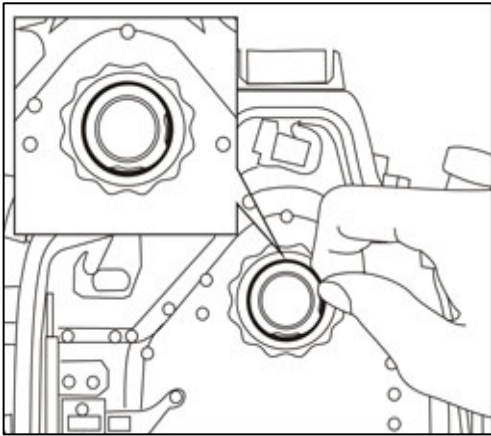
### B) Using the Nikonos 5-pin bulkhead

The Nikonos 5-pin bulkhead connects to all the 5 contact points of the D700 hotshoe for iTTL compatible operation.

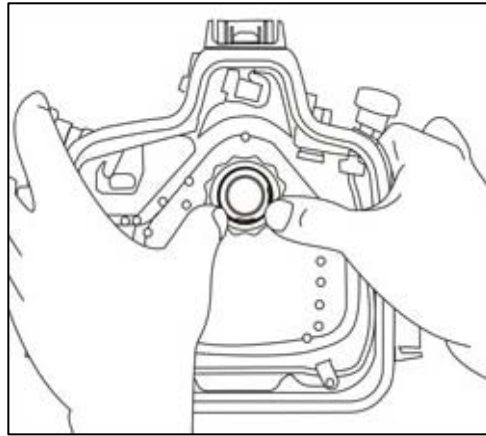
# Changing the Viewfinder

In order that users can change to a preferred viewfinder easily, the 0.66X viewfinder which comes with this housing is designed so that it can be removed and re-installed by following the simple steps described below.

To remove the viewfinder:

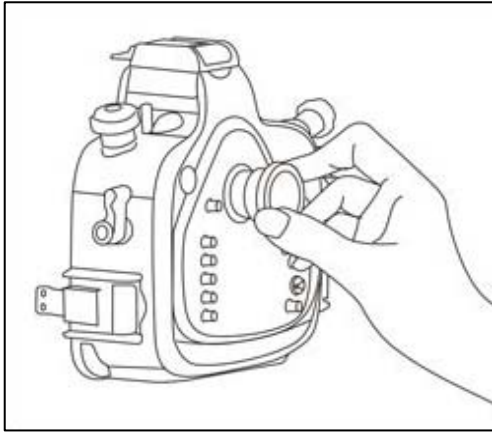


1. Remove the retainer O-ring of the viewfinder inside the rear half of the housing by making use of the recess on the viewfinder.

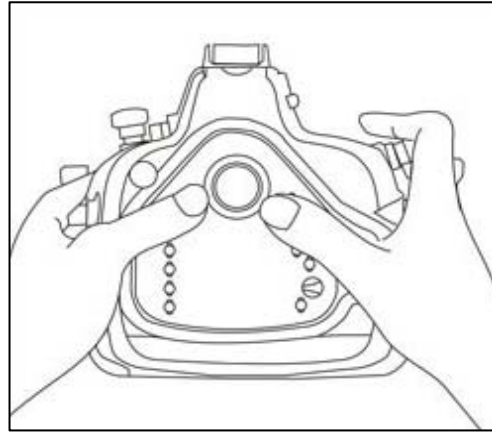


2. Gently push the viewfinder from the inside of the housing.

To re-install the viewfinder:



1. Lightly coat the O-rings on the outer periphery of the viewfinder body with lubricant.
2. Align the viewfinder with the sleeve in the display window.

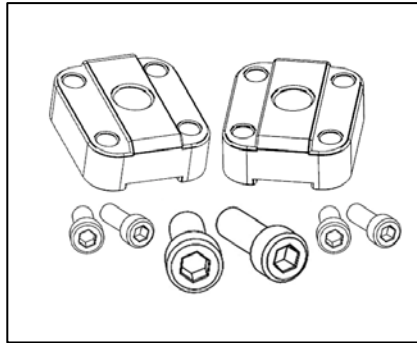


3. Push the viewfinder from the outside of the housing until it cannot go in any further.
4. Place the retainer O-ring of the viewfinder back from inside the housing.

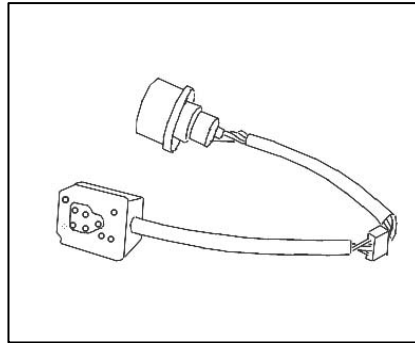
# Care and Maintenance

1. Soak the housing system in fresh water after each salt water use, during which all control buttons/knobs should be operated a few times to avoid the accumulation of salt residue; wipe the housing with a towel before opening.
2. After each day of diving, it is advisable to have the main O-ring in the front part of the housing removed from its groove with the O-ring remover and inspected for damage. Also check that the O-ring retains its original circular shape; never stretch the O-ring excessively or remove it with a sharp object. The O-ring groove should be cleaned to ensure it is free from any salt deposit or foreign material; lightly coat the O-ring with the provided lubricant before reinstalling it in the groove. A damaged O-ring should be discarded immediately and replaced only with one that is provided by NAUTICAM.
3. Replace the main O-ring annually.
4. It is recommended that you ship the housing to our distributor for a complete overhaul every year or after every 200 dives.

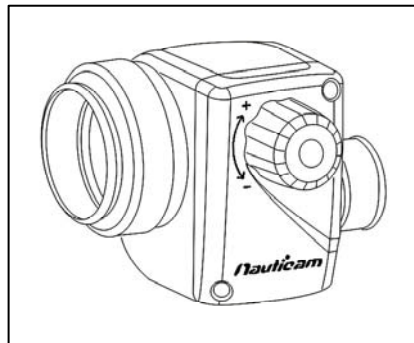
# Optional Accessories



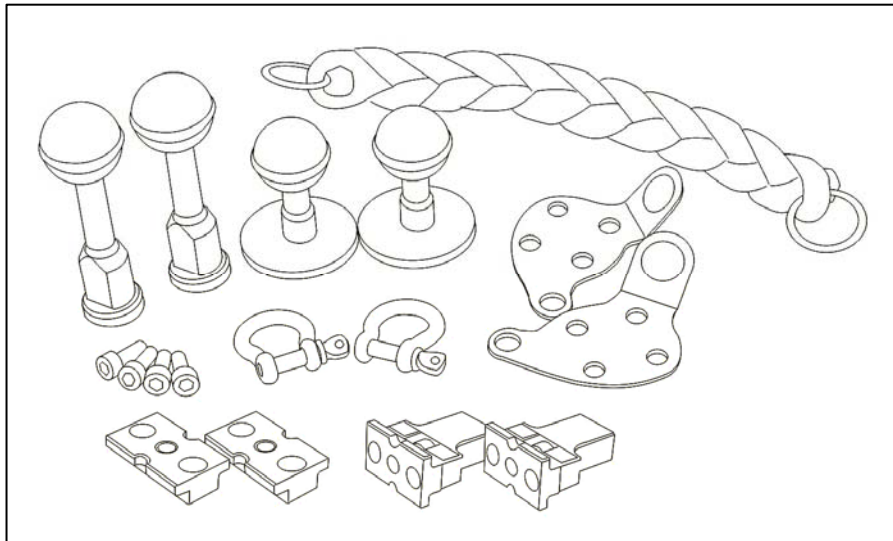
**Set of spacers**



**Nikonos 5-pin bulkhead**



**Enhanced 180° viewfinder  
(with external dioptric adjustment knob)**



**Strobe mounting accessories and lanyard**

**NAUTICAM International Limited**  
**Room 2203,**  
**CCT Telecom Building,**  
**11 Wo Shing Street,**  
**Fotan, HONG KONG**

**Email: [enquiry@nauticam.com](mailto:enquiry@nauticam.com)**  
**Tel: +852 2690 2711**  
**Fax: +852 2690 9778**

