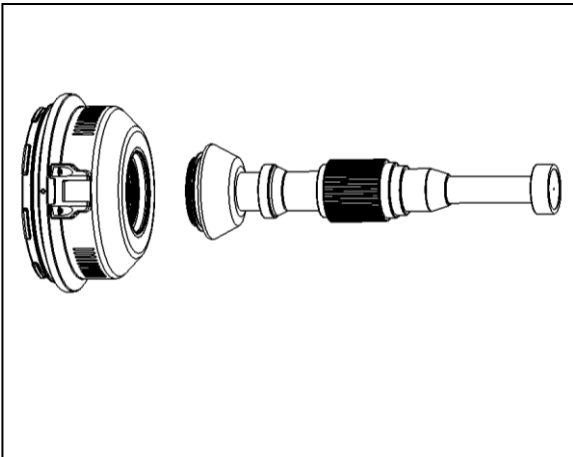


18722 Insect eye adaptor N60-MR130

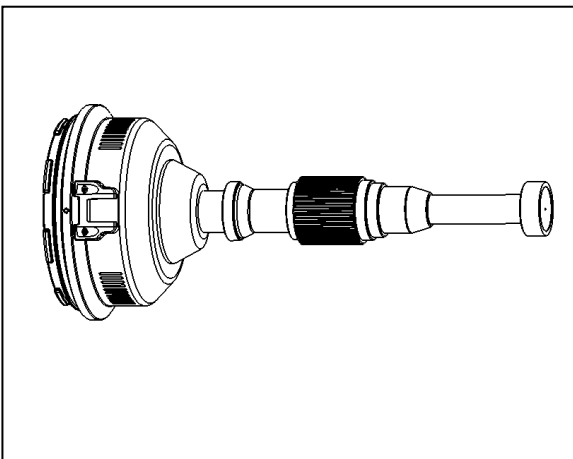
For Nikon AF Micro 60mm F2.8D and Inon micro semi-fisheye relay lens UFL-MR130 EFS60

CAUTION:

1. *This product cannot be used alone underwater, please make sure the Inon micro semi-fisheye relay lens UFL-MR130 EFS60 is properly attached before using.*
2. *Please set the Limit/Full selector of the Nikon AF micro 60mm F2.8D to LIMIT when the lens is at or near infinity before using with this product.*



1. Verify that the threaded section of the Insect eye adaptor N60-MR130 is clean and free from foreign material.
2. Remove the O-ring of the Inon UFL-MR130 EFS60 and inspect for any damage, lightly lubricate before placing back into the O-ring groove.



3. To attach the Inon UFL-MR130 EFS60 to the adaptor, align the threaded sections of the two and turn the Inon UFL-MR130 clockwise until it cannot go in any further while holding the adaptor firmly. (Turn the Inon UFL-MR130 EFS60 in the opposite direction for detaching.)

4. Please refer to the instruction manual of the housing for guidelines to mount the adaptor onto the housing.